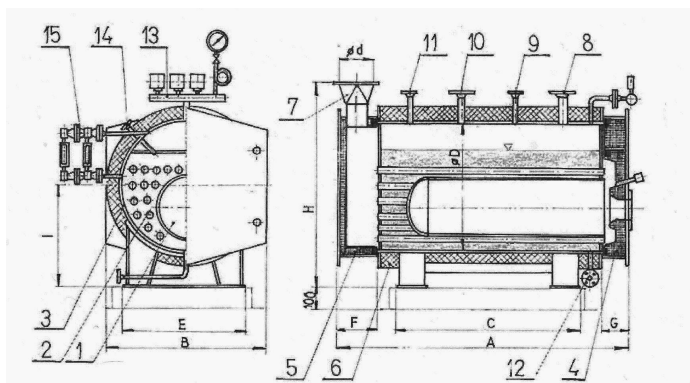


Steam Production Boiler type PKH



Boilers type PKH are made in two versions, for saturated steam production up to 1 bar pressure and dry saturated steam up to 12 bar pressure, with combustion of liquid or gas fuel. Boilers of this type are constructed with two drafts (straight flame pipe and smoke pipes). Straight flame pipe is returning what enables high utilisation of energy. This boiler is made out of high quality boiler steel and the construction satisfies all the technical standards.

The boiler is equipped with all necessary armature for continuous automatic work. The boiler is set on the steel profiles which enable easy forklift manipulation.



- | | | |
|----------------|------------------------------|--------------------------------|
| 1. Flame pipe | 6. Casing with insulation | 11. Air breather connection |
| 2. Smoke pipe | 7. Smoke connection | 12. Sludge removal connection |
| 3. Boiler drum | 8. Sonde connection | 13. Pressure switch |
| 4. Front door | 9. Safety valve connection | 14. Water supply connection |
| 5. Back door | 10. Steam conduit connection | 15. Level indicator connection |

Boiler type	Steam prod.	Capac.	Water quantity	Weight (kg)		A	B	C	D	E	F	G	H	I	d
	kg/h	kw	l	Weight (1bar)	Weight (12bar)	mm									
PKH 200	200	130	500	800	950	1800	1000	1100	820	700	250	150	1300	620	250
PKH 300	300	195	700	970	1280	2000	1100	1300	920	800	250	150	1400	670	250
PKH 400	400	260	950	1150	1550	2200	1200	1500	1020	900	250	150	1500	720	250
PKH 500	500	325	1150	1380	1820	2400	1250	1700	1070	950	250	150	1600	770	250
PKH 750	750	487	1450	1800	2460	2600	1350	1800	1170	1050	300	200	1700	820	300
PKH 1000	1000	650	1900	2250	3100	2800	1450	2000	1270	1150	300	200	1800	870	300
PKH 1250	1250	812	2390	2650	3550	3000	1550	2200	1370	150	300	200	1900	920	350
PKH 1500	1500	975	2950	3100	4000	3200	1650	2400	1470	1350	300	200	2000	970	350
PKH 1800	1800	1170	3400	3450	4500	3400	1750	2500	1550	1450	350	250	2100	1050	350
PKH 2000	2000	1300	3650	4000	4900	3600	1800	2700	1600	1500	350	250	2200	1100	400
PKH 2500	2500	1625	4400	4450	5350	3800	1900	2900	1700	1600	350	250	2300	1150	400
PKH 3000	3000	1950	5150	5050	6200	4000	2000	3050	1800	1700	400	250	2400	1200	400